

Ambrogio Robot L85

MD-CO-RO-22 - Rev. 2.9 -31/01/2019 - Ambrogio Robot L85

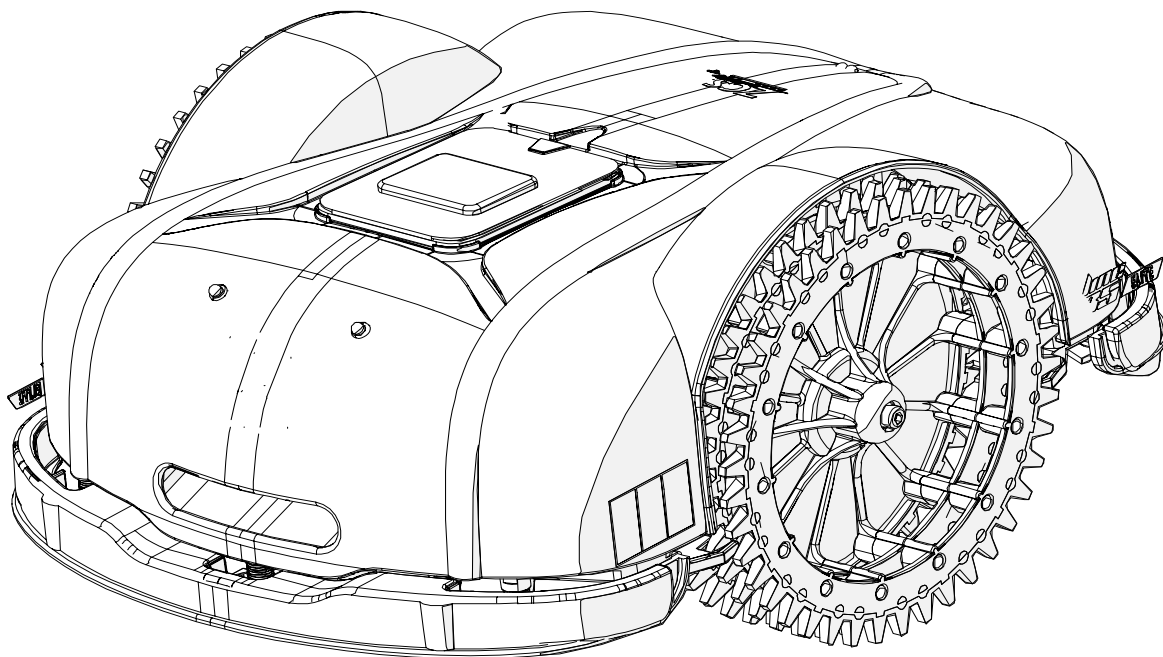
Spare Parts Catalogue

Previous Revision 2.8
Current Revision 2.9
From 2019-01

Models Type Included

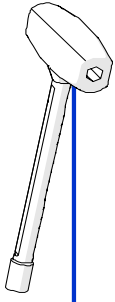
7085ELO

Ambrogio Robot L85 Elite

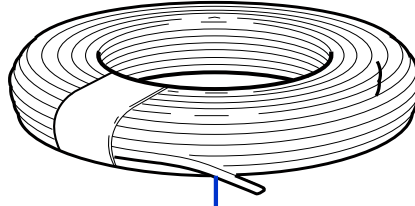


Price List. Only for Italy. Delivery cost not included
Listino al pubblico. Trasporto non incluso

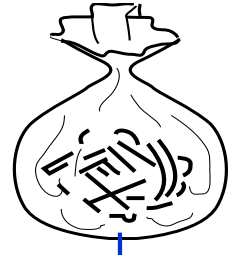




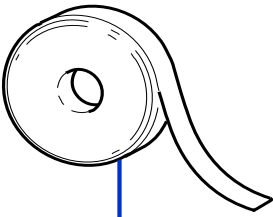
1



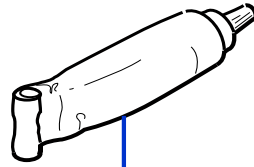
2



3



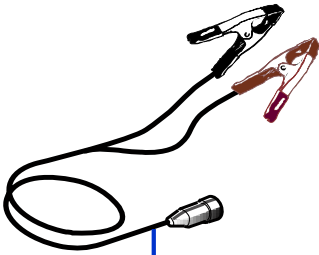
4



5



6



7



8



9

Tav. **01** **0**
 Tab.
 Taf.

Prezzo 22% IVA Inclusa. Price with 22% VAT Included.

Prezzo senza IVA. Price without VAT

Rif.	Code	Qt.in Robot		(IT) Descrizione * (GB) Description	MOQ	Net Price	Public Price
1	075_D005	1		Chiave - Screwdriver	1	11,10	13,54
2	CS_E0002OS	0-1	MT 100	Cavo - Cable	1	44,20	53,92
2	CS_E0002	0-1	MT 150	Cavo - Cable	1	66,00	80,52
2	CS_E0002_3	0	MT 300	Cavo - Cable	1	133,40	162,75
2	CS_E0002_5	0	MT 500	Cavo - Cable	1	226,50	276,33
2	CS_E0002_10	0	MT 1000	Cavo - Cable	1	453,10	552,78

Consegna in 60 giorni dall'ordine - Delivery Time 60 days from order date

3	200A00100A	0-1	(100 Pz)	Conf. Chiodi - Nails Bag	1	11,70	14,27
3	200A00200A	0-1	(200 Pz)	Conf. Chiodi - Nails Bag	1	21,60	26,35
4	CS_C0111	0		Nastro Agglomerante - Stretch Electrical Tape	1	25,60	31,23
5	CS_C0109	0	200 Gr	Grasso - Grease	1	20,30	24,77
6	AMBCAPROG	0		Programing Cable - Cavo Programmazione	1	17,20	20,98
7	CB01RICINV3	0		Kit Ricarica Invernale - Kit for Winter Garaging	1	55,20	67,34
8	CS_GSM-GPRS	0	Only L85 Elite	Kit - Scheda GSM - GSM Board kit	1	199,00	242,78
9	200A00003	1		(3pcs) - Connettore - Connector	1	4,90	5,98
9	200A00001	0		(10pcs) - Connettore - Connector	1	13,90	16,96
9	200A00050	0		(50pcs) - Connettore - Connector	1	57,60	70,27

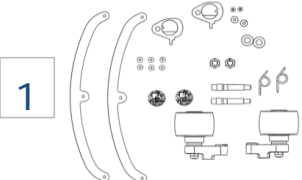
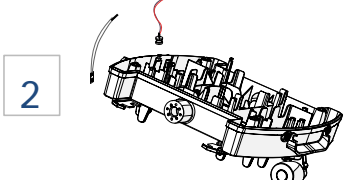
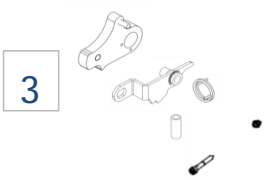
Solo per rivenditori
Only for dealer

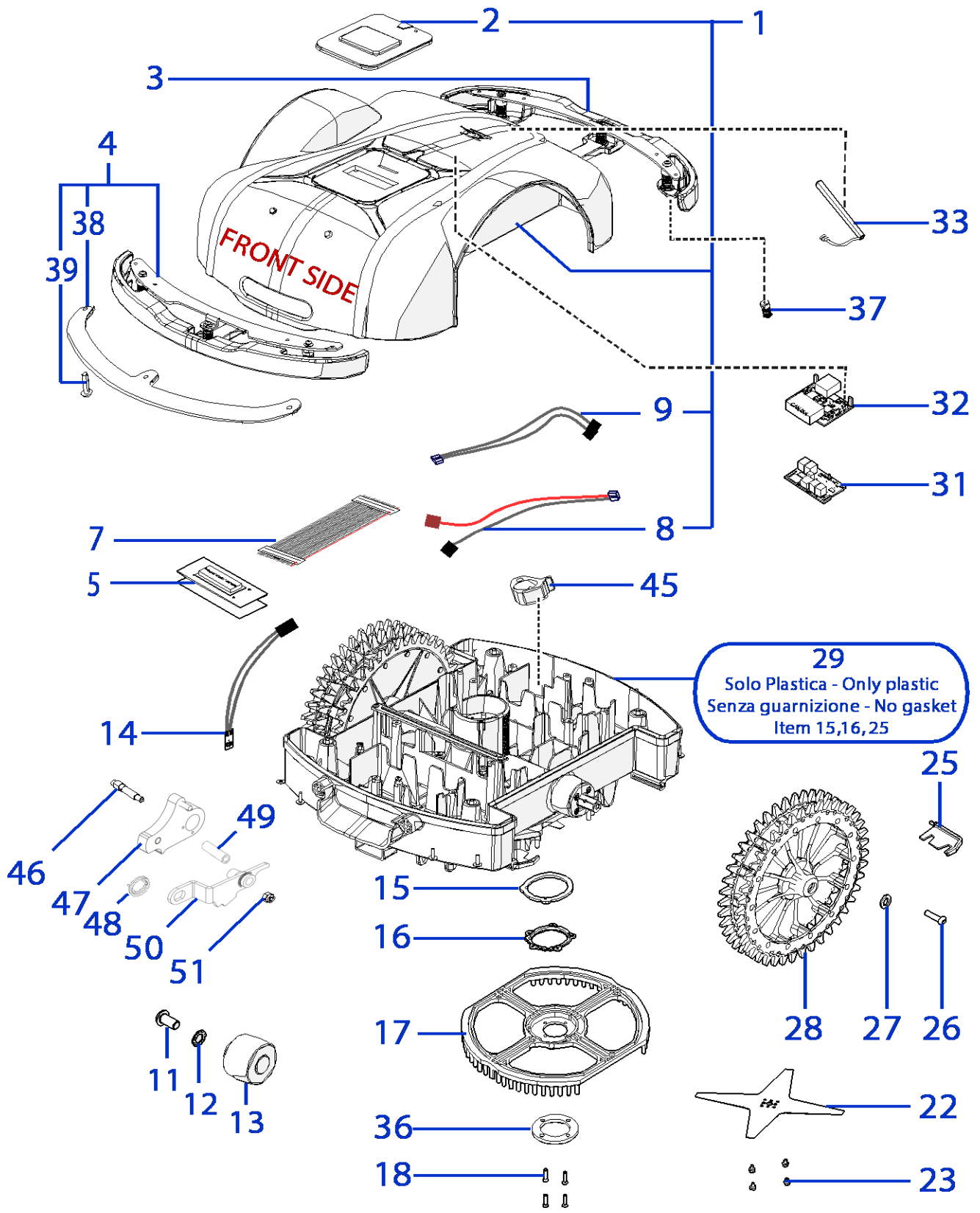
Code	(IT) Descrizione * (GB) Description	MOQ	Net Price
CS_E0032	Kit test batteria - battery test Kit	1	100,80 No discount
CS_BT_USB	Convertitore USB-Bluetooth - USB-Bluetooth Converter	1	40,00 No discount



Kit rilavorazione
Reworking kit

Code	(IT) Descrizione * (GB) Description	MOQ	Net Price
1 075Z34300A	Aggiornamento V17->V18 - Upgrade Kit V17->V18	1	78,00 No discount
2 075Z34400A	Aggiornamento <=V16 a V18 - Upgrade Kit <=V16 to V18	1	90,00 No discount
3 085D000008	Kit L85 v18 -> v19 - Kit L85 v18 -> v19	1	31,00 No discount

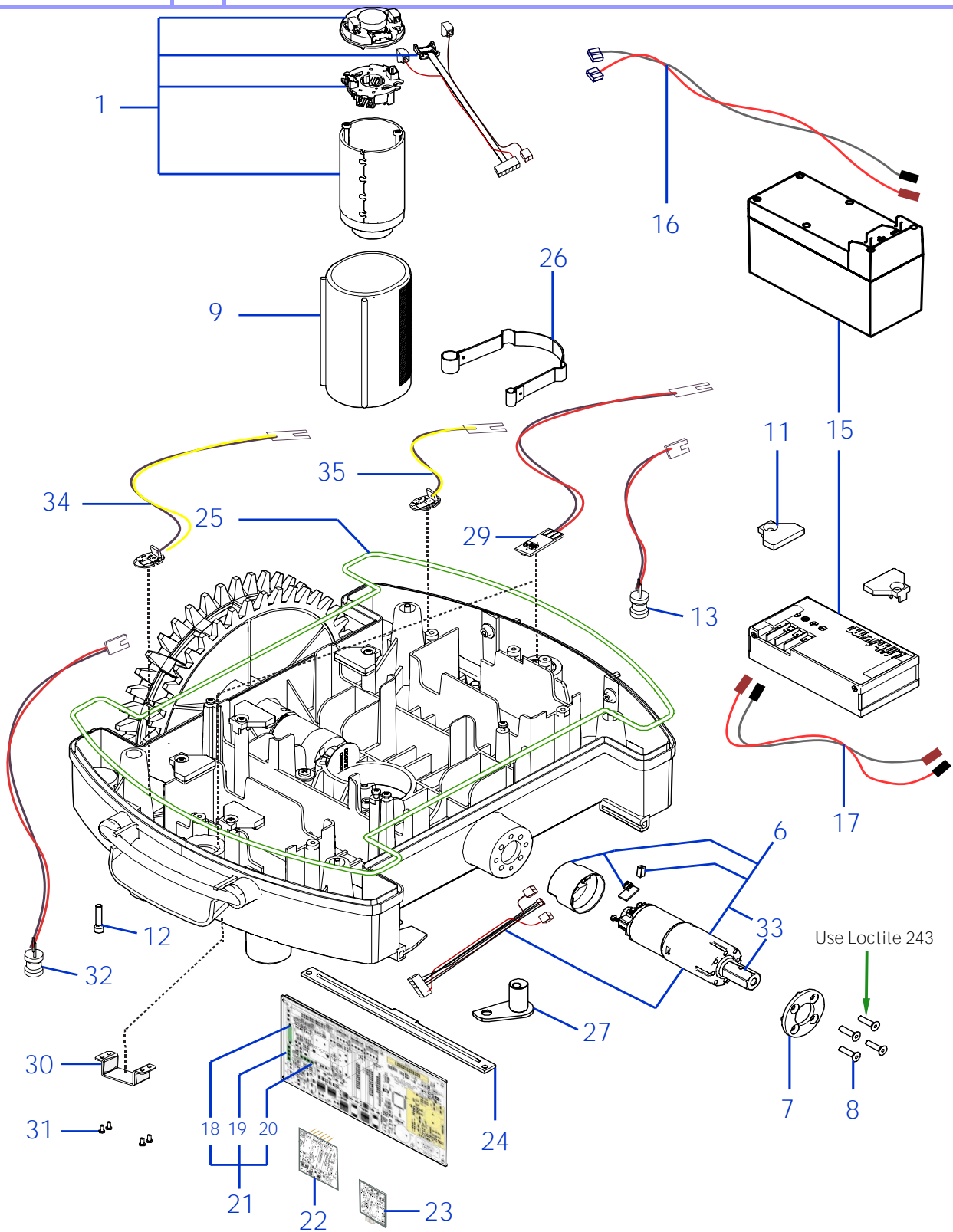


Tav. **02**
 Tab. **0**
 Taf.

Prezzo 22% IVA Inclusa. Price with 22% VAT Included.

Prezzo senza IVA. Price without VAT

Rif.	Code	Qt.in Robot		(IT) Descrizione * (GB) Description	MOQ	Net Price	Public Price
1	085A170005R	1	L85 Elite	Gruppo Calotta - Cap Set	1	129,00	157,38
2	075Z19200A	1		Tastiera - Keyboard	1	57,60	70,27
3	075Z30600AB	1		Paraurti - Bumper	1	88,00	107,36
4	075Z30200AB	1		Paraurti - Bumper	1	88,00	107,36
5	300E01200A	1		Display - Display	1	196,00	239,12
7	CB01_DI6	1		CPU-Display - Cabling CPU-Display	1	6,20	7,56
8	CB07_L75	1		Cavo Ricarica - Recharge Cabling	1	6,70	8,17
9	CB02_L75	1		Cavo Sensore Pioggia - Rain sensor Cabling	1	4,50	5,49
11	C00554	2		Vite - Screw	8	10,05	12,26
12	C02319	2		Rosetta conica - Cone-shaped washer	10	6,40	7,81
13	075Z03700A	2		Ruota Anteriore - Front Wheel	1	26,60	32,45
14	075E00800A	2		Scheda Sollevamento - Lift Sensor	1	14,00	17,08
15	075Z16000A	1		Guarnizione - Gasket	1	1,80	2,20
16	075Z13600A	1		Piastra - Plate	1	6,15	7,50
17	075Z07600A	1		Campana - Bell	1	16,40	20,01
18	C00252	4	M5x20	Vite - Screw	10	8,40	10,25
22	CS_D0155	0	4KF Ø22 Cm	Lama piana a 4 Punte - 4 knives flate blade	1	19,50	23,79
22	075Z07800A	0-1	4KF Ø25 Cm	Lama piana a 4 Punte - 4 knives flate blade	1	21,20	25,86
22	CS_D0112_02	0-1	4KF Ø29 Cm	Lama piana a 4 Punte - 4 knives flate blade	1	22,20	27,08
23	C00212	1	M4x8	Vite - Screw	100	19,50	23,79
25	075Z10700A	2		(Toothed Wheel) Pulisci ruota - Wheel Cleaning	8	10,05	12,26
25	075Z19600A	2		(Wheel tire) Pulisci ruota - Wheel Cleaning	8	10,05	12,26
26	C01518	2	M8x12	Vite - Screw	8	10,05	12,26
27	C01265	2		Rondella - Washer	10	7,60	9,27
28	075Z02000A	2		Ruota Dentata 2 denti - Toothed Wheel 2 teeth	1	45,20	55,14
28	075Z10400A	2		Ruota Dentata 3 denti - Toothed Wheel 3 teeth	1	53,20	64,90
28	075Z19500A	2		Ruota con copertone - Wheel with tire	1	45,20	55,14
29	075Z31800A	1	(Toothed tire)	Scocca (Solo Plastica) - Body (Only Plastic)	1	84,00	102,48
29	075Z32300A	1	(Wheel tire)	Scocca (Solo Plastica) - Body (Only Plastic)	1	84,00	102,48
31	400E02200A	1		Scheda GSM - GSM Board	1	160,00	195,20
32	400E02400A	1		Esp.Seriale - Serial Exp.	1	84,00	102,48
33	CS_ANT_GSM	1		Antenna - Antenna	1	18,40	22,45
36	400Z07500A	1		Supporto - Support	1	10,30	12,57
37	075Z29900A	4		Molla - Spring	1	7,20	8,78
37	075Z30100A	2		Kit Molla - Spring Kit	1	5,40	6,59
38	075Z33300A	2		Piastra - Plate	1	12,00	14,64
39	C00229	6		Vite - Screw	10	6,40	7,81
45	075Z33900A	1	Front	Supporto Enc.Mag. - Enc.Mag. Support	1	2,00	2,44
45	075Z34000A	1	Back	Supporto Enc.Mag. - Enc.Mag. Support	1	2,00	2,44
46	C01770	2		Perno - Pivot	10	8,00	9,76
47	075Z37001A	1	Front	-	1	-	-
47	075Z37000A	1	Back	-	1	-	-
48	075Z36901A	1	Front	Molla - Spring	10	7,80	9,52
48	075Z36900A	1	Back	Molla - Spring	10	7,80	9,52
49	075Z36800A	2		Distanziale - Spacer	10	11,80	14,40
50	075Z36501A	1	Front	Staffa metallo - Metal shaft	1	8,00	9,76
50	075Z36500A	1	Back	Staffa metallo - Metal shaft	1	8,00	9,76
51	C01464	2		Dado - Bolt	8	2,00	2,44

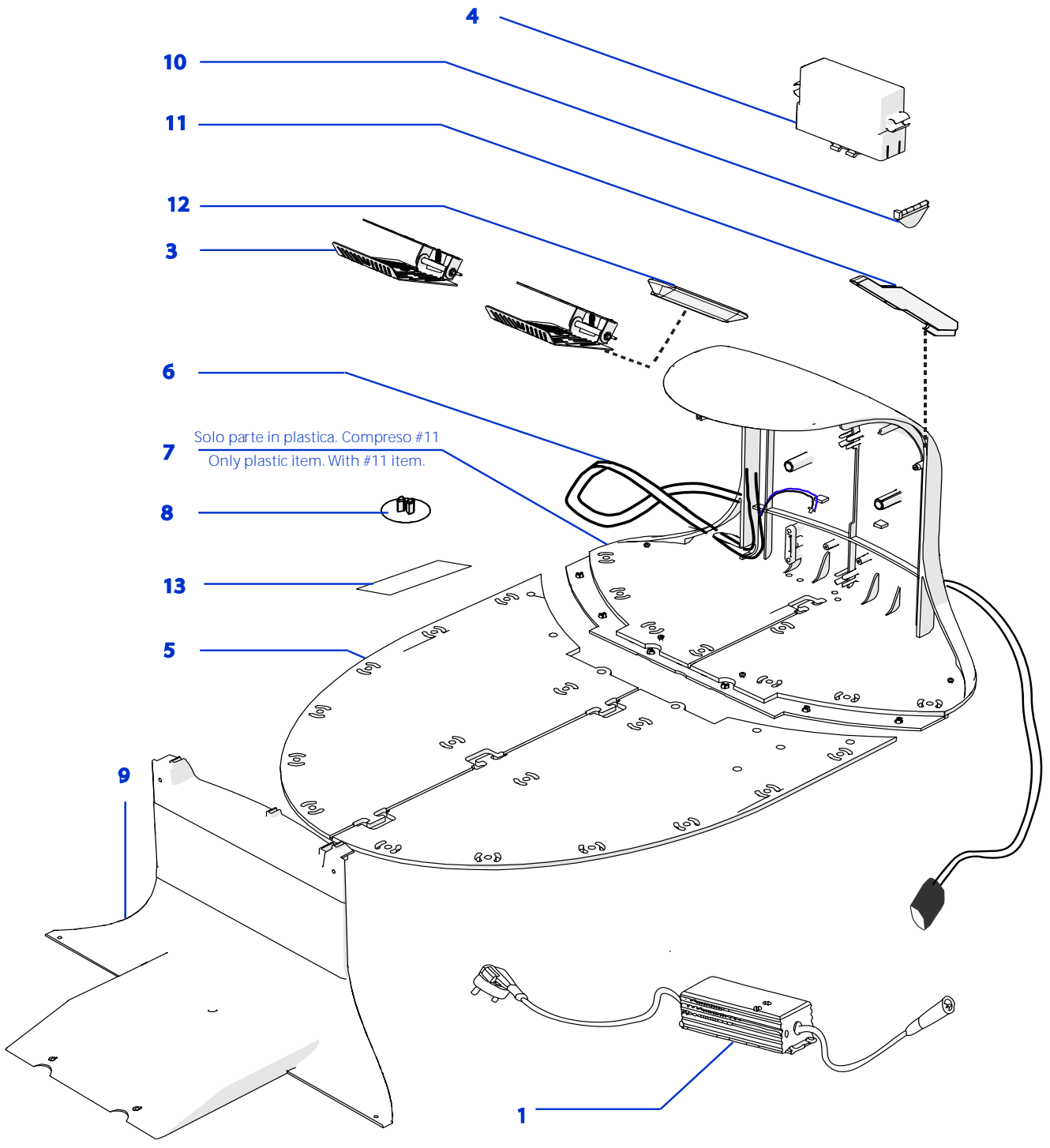


Tav. **03**
 Tab. **0**
 Taf.

Prezzo 22% IVA Inclusa. Price with 22% VAT Included.

Prezzo senza IVA. Price without VAT

Rif.	Code	Qt.in Robot		(IT) Descrizione * (GB) Description	MOQ	Net Price	Public Price
1	CS_C0009/212	1	Brushless Robot	(Brushless) - Motore di Taglio - Group Cutting Motor	1	331,00	403,82
6	075Z11000A	2	Brushless Robot	(Brushless) - Motoriduttore - Motor Reducer	1	250,00	305,00
7	075Z06900A	2		Supporto Ruota - Wheel support	1	10,30	12,57
8	C01317	8		Vite - Screw	100	20,60	25,13
9	075Z04500A	1		Supporto Motore - Motor support	1	13,10	15,98
11	110Z12900A	2		Fissaggio Batteria - Battery Clamp	1	4,90	5,98
12	C00067	4	M5X25	Vite - Screw	10	8,40	10,25
13	110E00700A	1		Bobina - Coil	1	40,00	48,80
15	075Z01300A	1-2	Lithium (25.9V 2.5A)	(Type B) - Batteria - Battery	1	to enduser	110,00
15	CS_C0106/1	1	Lithium (25.9V 7.5A)	(Type B) - Batteria - Battery	1	to enduser	280,00
16	CB03_HR75	1		CPU-batteria - Cabling CPU-Battery	1	6,70	8,17
17	CB04_L75	0-1		batteria-batteria - Cabling Battery-Battery	1	6,70	8,17
18	A210517	1	F4 - 250V 500/630mAD	Fusibile - Fuse - (500 Ceramic 630 Glass)	10	10,30	12,57
19	A210543	1	F3 - 32V 30A	Fusibile - Fuse	10	10,90	13,30
20	A210540	1	F1 - 32V 1A	Fusibile - Fuse	10	10,30	12,57
21	AM2000-13B-SP	1	Brushless	Scheda Madre - Mother Board (Brushless)	1	384,00	468,48
22	050E00500A	1		(RX-C1) Ricevitore - Receiver	1	98,00	119,56
23	051E01000A	1	(IOS + Android)	Ricevitore Bluetooth - Bluetooth Receiver	1	118,00	143,96
24	200Z03000A	1		Bloccascheda - Board block	1	5,75	7,02
25	075Z09400A	1		Guarnizione - Gasket	1	9,75	11,90
26	075Z08700A	1		Piastra Elastica - Elastic plate	1	16,20	19,76
27	075Z07200A	1		Piastra fissaggio - Fixing plate	1	10,70	13,05
29	075E00500A	1	40cm	Scheda Urto - Bump sensor	1	12,00	14,64
29	075E00700A	1	65cm	Scheda Urto - Bump sensor	1	12,00	14,64
30	075Z32800B	2		Staffa - Support	1	4,10	5,00
31	C01023	8		Vite - Screw	10	3,60	4,39
32	110A00100A	1		Bobina - Coil	1	40,00	48,80
33	075Z10900A	2	Brushless	Esagono - Hexagon	1	6,55	7,99
34	075E00900A	1		Cablaggio Enc.Mag. - Wire	1	16,00	19,52
35	075E01000A	1		Cablaggio Enc.Mag. - Wire	1	16,00	19,52



Tav. **04** **0**
 Tab.
 Taf.

Prezzo 22% IVA Inclusa. Price with 22% VAT Included.

Prezzo senza IVA. Price without VAT

Rif.	Code	Qt.in Robot		(IT) Descrizione * (GB) Description	MOQ	Net Price	Public Price
1	ELG-150-30	1	Elite	(5A) Caricabatteria - Battery Charger	1	118,00	143,96
3	300Z11400A	2		Piastra di Ricarica - Recharging Plate	1	20,60	25,13
4	051Z32500A	1		(TX-C1) Trasmittitore - Transmitter	1	110,00	134,20
5	075Z06500A	1		Base - Base	1	32,80	40,02
6	CB01_85S2	1		Cavo alimentazione ricarica - Recharging supply cable	1	39,70	48,43
7	075Z31400A	1		Supporto Piastre - Plate support	1	39,00	47,58
8	C01559	12		Clips - Clips	12	4,30	5,25
9	075Z06400A	1		Coperchio - Cap	1	12,30	15,01
10	075Z06700A	1		Gomma - Rubber	1	2,00	2,44
11	075Z31300A	4		Distanziale - Spacer	1	4,10	5,00
12	030Z16700A	1		Protezione - Protection	1	4,10	5,00
13	075Z34500A	2		Adesivo - Stiker	1	8,00	9,76